

Loose Tube Pre-term

Our pre-terminated cable assemblies consist of an optical cable pre-fitted with connectors. The terminations are protected with a rugged transparent transportation tube, which can be easily and quickly removed during installation. Our Loose tube pre-terminated cables also come with 2mm ruggedised tails for added protection. The unique crimpless design utilises an anti-kink gland to reduce stress to the fibre during the installation process. Our pre-terminated solutions ensure faster and more efficient installations.

We also have uniquely designed patch panels which accommodate our pre-terminated assemblies, fitted with U-slots for efficient installations everytime.



Features & Benefits

- 4-48 fibre counts available
- Available with all connector types LC, FC, SC and ST (other types such as E2000 or APC connector are available upon request)
- 48fibre pre-terms require our space saving Uniboot connectors
- No additional compression glands required
- Machine polished and factory tested
- No specialist tooling required to install
- All modes available such as OS1/2, OM1, OM2, OM3, OM4
- Pulling sock & redeployable sock available

Application

- Enterprise
- Datacom
- LAN and WAN
- FTTX
- Broadband network

Specification

ELEMENT	CHARACTERISTIC
Fibre (ISO/IEC 60793)	OS2 = G652D, OM1, OM2, OM3 + OM4
Cable (LSZH)	Black (other colours available)
Compressions Strength	4-24Core = 1500N, 48Core = 3000N
Operation Temperature	-40 to +70°C
Installation Temperature	-40 to +70°C
Storage Temperature	-40 to +70°C

Cable Attribute	4 Core	8 Core	12 Core	24 Core	48 Core
Nominal Diameter (mm)	6.0	6.0	6.0	6.5	10.5
Nominal Weight (kg/km)	40	40	40	45	88
Heat of combustion (MJ/km) - (KW/m)	630 0.18	630 0.18	630 0.18	800 0.22	-

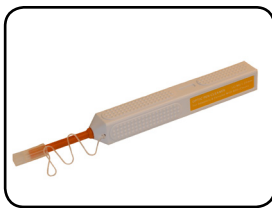
Connector Performance

Connector Type	Insertion Loss Typical	Insertion Loss Max	Return Loss
Single-mode Connectors	0.10dB	0.35dB	>60dB
Multimode Connectors	0.10dB	0.50dB	N/A

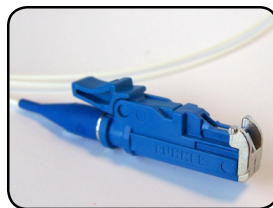
Available Accessories



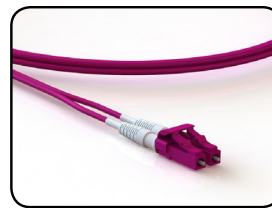
Fibre Patch Panels



Cleaning Material



Pigtails



Patchleads



Wall Box

*Please note, product specifications are subject to change in line with availability



01225 338600



info@advanceoptics.co.uk

Optical Fibre Specifications

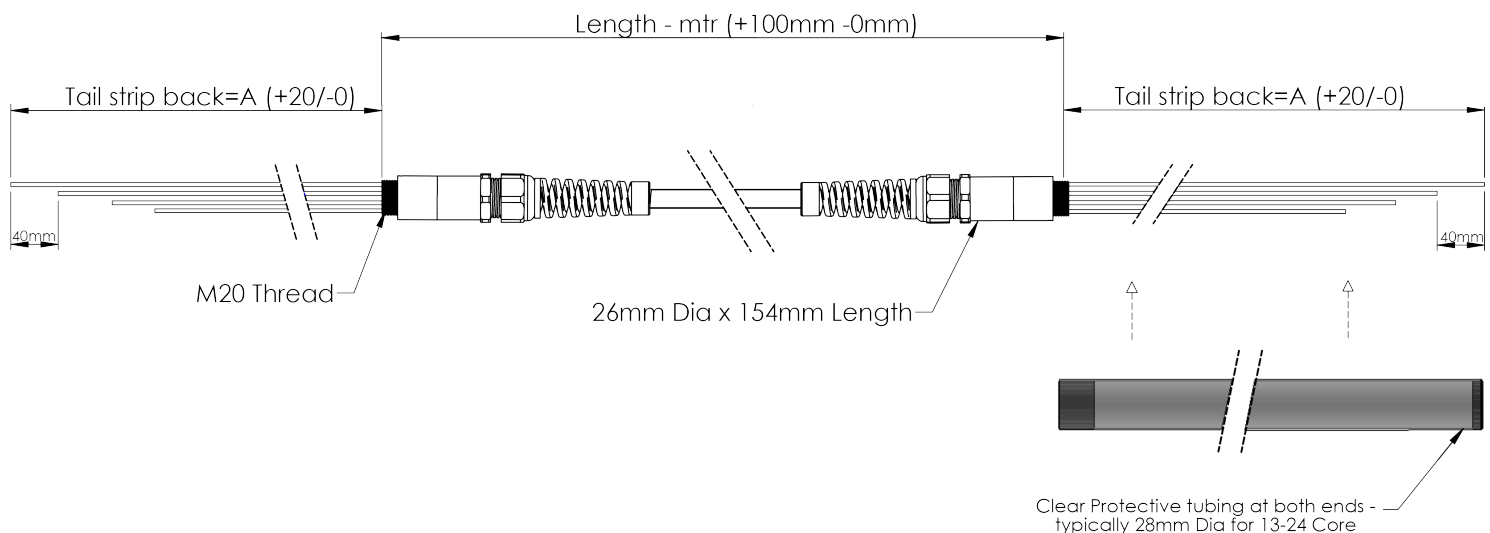
Multimode Fibres

Multimode Fibres	Overall Bandwidth (MHz x km)		Max. Link Length** for 1 GBit/s (m)		Max. Link Length for 10 GBit/s (m)		Fibre Attenuation (dB/km)	
	850nm	1300nm	850nm (1000Base-SX)	1300nm (1000Base-LX)	850nm (10GBase-SR) (10GBase-SW)	1300nm (10GBase-LX4)	850nm	1300nm
EN 50173/ISO 11801								
50/125 µm								
OM3	>1500	>500	100	600	300	300	<2.7	<0.7
OM4 Laser Optimised	>3500	>500	1040	600	550	300	<2.7	<0.7

Single-mode Fibres

Single-mode Fibres	Chromatic Dispersion		Cut-off-Wave Length (cabled) (nm)	Point Discontinuity (dB)	Fibre Attenuation (dB/km)			Fibre Geometrical Properties (µm)		
	1310nm	1550nm			1310nm	1380-1386nm	1550nm	Mode-field	Cladding	Coating
IEC 60793/ EN 50173/ISO 11801										
9/125 µm										
OS2(ITU-T.G.652D)	>3.5	>18.0	>1260	<0.1	<0.34	<0.31	<0.22	9.2 ± 0.4	125 ± 1	245 ± 5

Loose Tube Preterm Assembly (Generic)



*Please note, product specifications are subject to change in line with availability