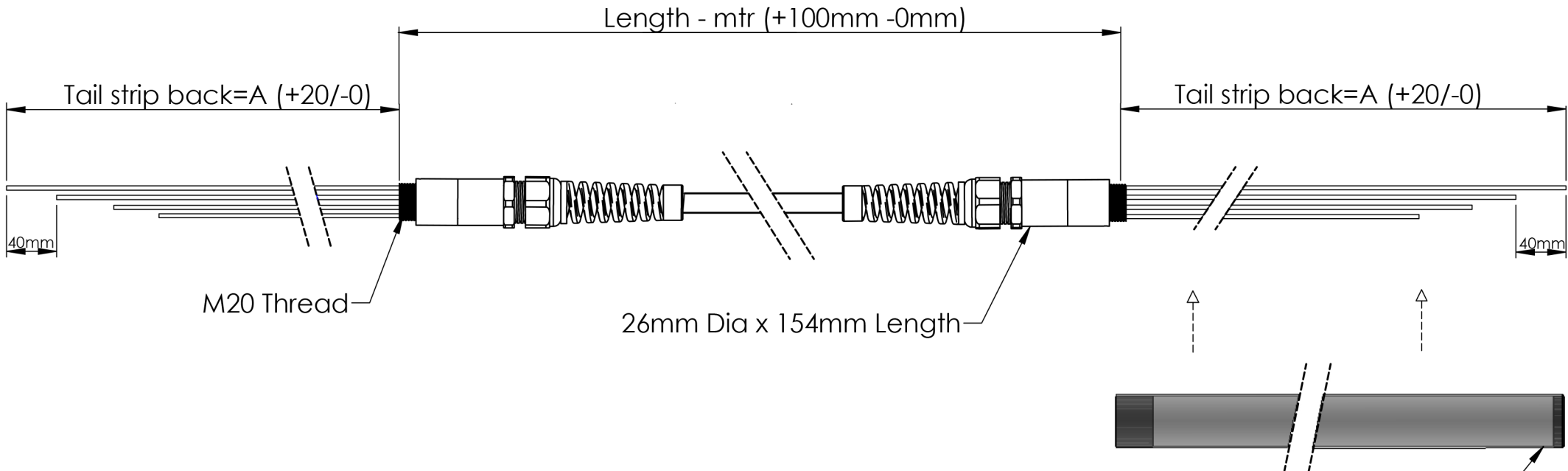


# Loose Tube Preterm Assembly (Generic)



Notes:

Components

A=Tail strip back lengths

- 4 core = 500mm)
- 8 core = 800mm)
- 12 core = 1000mm)
- 16 core = 1000mm)
- 24 core = 1450mm)

Testing:

- Insertion Loss @ 1550nm
- Back reflectance @ 1310nm > 50dB
- Insertion loss @ 850 nm
- All tests in accordance with insertion Loss and test version 1
- Test result sheet to be included

Packaging:

- 1-49mtrs coiled, packed in bubble wrap and 50+ on a reel


Cable type

- 9/125 um
- 50/125 um
- 62.5/125 um
- OM3
- XX Core
- Loose Tube

Labelling

- ID Labelling on main legs to be identified

Clear Protective tubing at both ends - typically 28mm Dia for 13-24 Core

ISSUE NO:	7	8	9	10	11	12	Customer	
Date	20/05/12	10/10/13	12/06/14	25/02/15	11/05/2018			
Checked by	P.Davenport	P.Davenport	P.Davenport	M.Lenihan	M.Lenihan			
Product App.	B.Williams	B.Williams	B.Williams	P.Davenport	B.Williams			
Approved by								
Drawn	Material	Finish		Tolerances unless otherwise Stated		Title	Drawing Number	
G.Hilditch	RoHS Compliant			All Dimensions in millimeters		Loose Tube Preterm Assembly (Generic)	DN-0730	
Scale								
1:3								