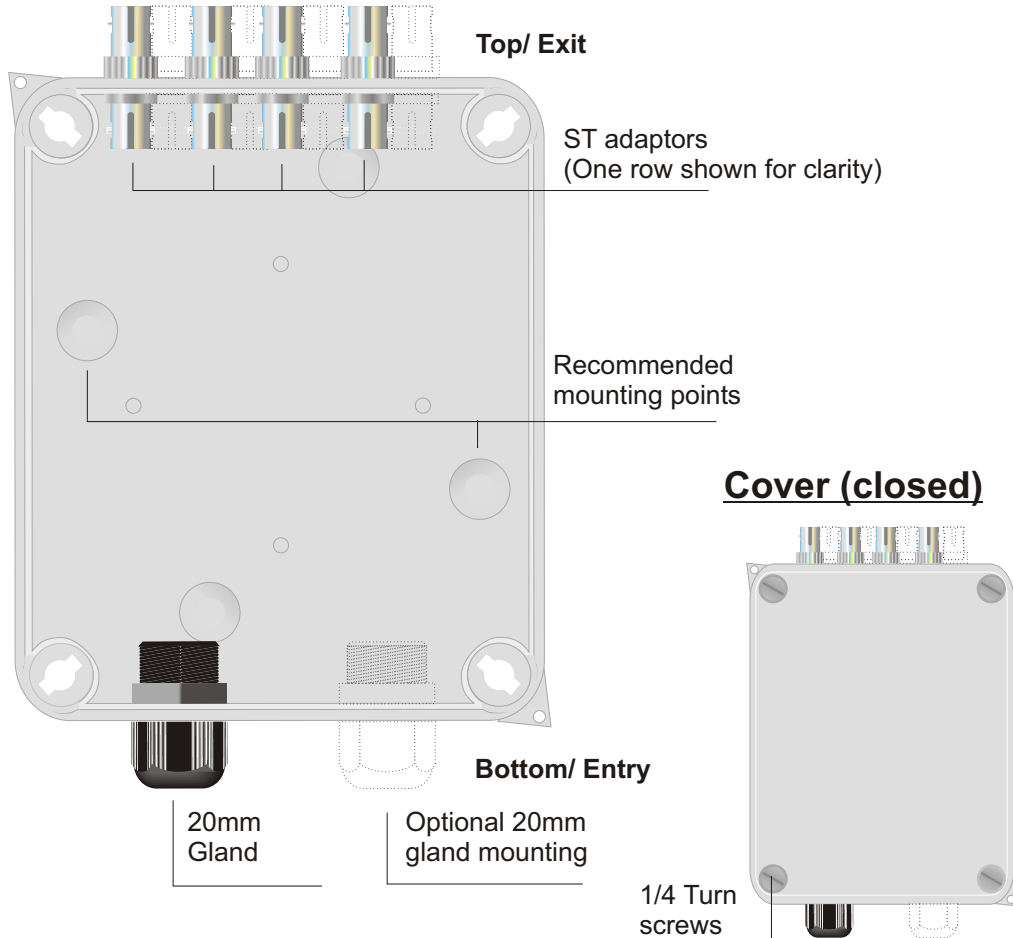
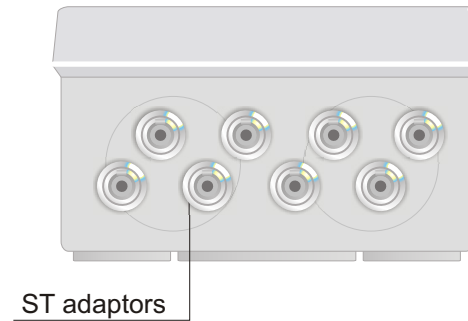


WBX817-XXX

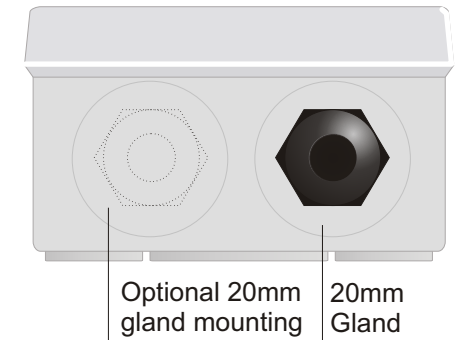
Cover (open)



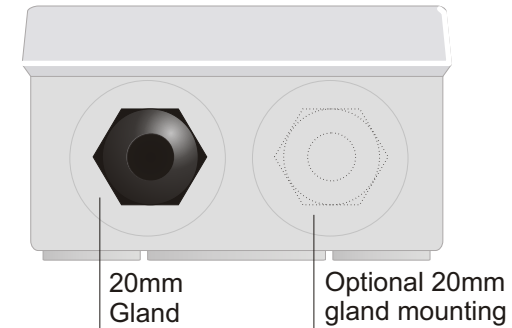
Top/ Exit (adaptor)



Top/ Exit (cable)




Bottom/ Entry (cable)



Kit issue

Box type	Standard kit issue	Optional kit issue
Termination WBX817-TRM-M	Maximum of 8x STMM adaptors, 1x 20mm gland, 4x bunny clips, 1x 8f splice bridge.	1x 20mm glands.
Splice WBX817-SPL	2x 20mm gland, 4x bunny clips, 1x 8f splice bridge.	2x 20mm glands.

ISSUE NO:	1	2	3	4	5	6	Customer	
Date	13/06/05							
Checked by	M. Parry-Jones							
Product App.	M. Parry-Jones							
Approved by								
Drawn N. Parys	Material Grey Thermoplastic		Dimensions External (mm) 165x145x84 Internal (mm) 160x135x70		Tolerances unless otherwise stated All dimensions in millimetres		Title Wall box 817	Drawing Number DN0539
Scale not to scale								