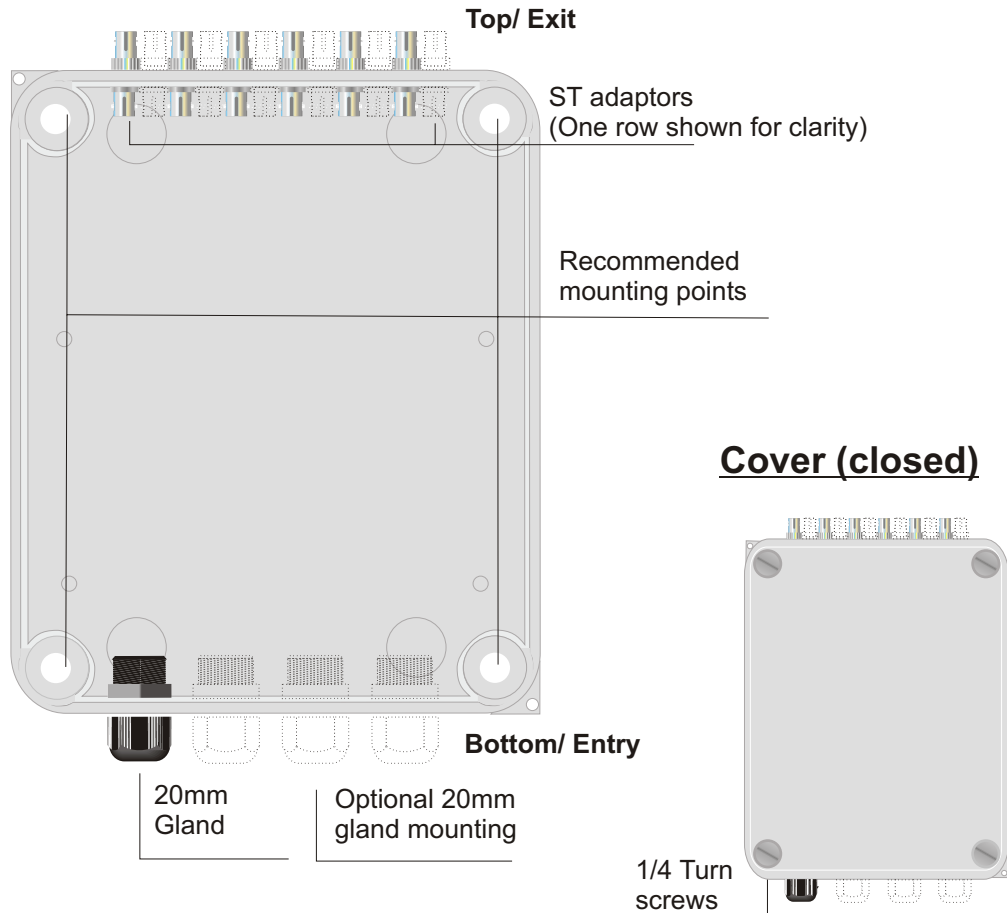
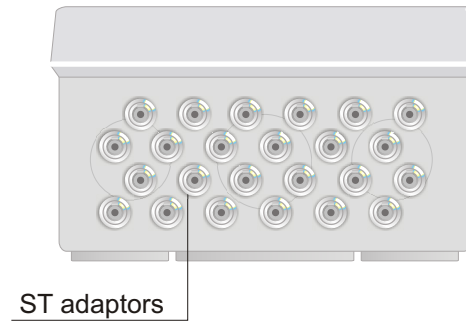


WBX887-XXX

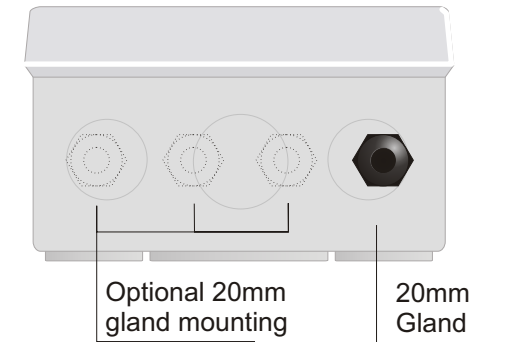
Cover (open)



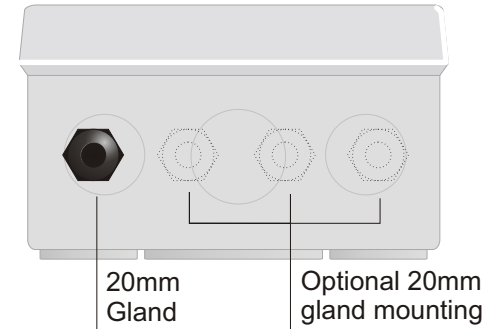
Top/ Exit (adaptor)



Top/ Exit (cable)




Bottom/ Entry (cable)



Kit issue

Box type	Standard kit issue	Optional kit issue
Termination WBX887-TRM-M	Maximum of 24x STMM adaptors, 1x 20mm gland, 4x bunny clips, 1x 24f splice cassette	3x 20mm glands.
Splice WBX887-SPL	2x 20mm gland, 8x bunny clips, 2x 24f splice bridge 4x 12f splice cassette.	6x 20mm glands.

ISSUE NO:	1	2	3	4	5	6	Customer	
Date	13/06/05							
Checked by	M. Parry-Jones							
Product App.	M. Parry-Jones							
Approved by								
Drawn N. Parys	Material Grey Thermoplastic		Dimensions External (mm) 320x250x135 Internal (mm) 310x240x125		Tolerances unless otherwise stated All dimensions in millimetres		Title Wall Box 887	Drawing Number DN0541
Scale not to scale								